

Model: LXSJ-15A-20A

Smart Water Meter

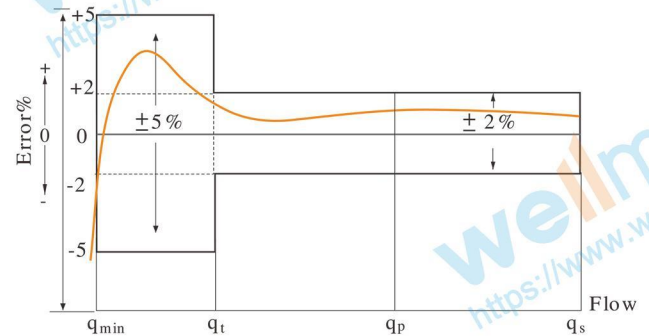
Feature:

- Multi jet, Dry-dial
- Material body: Brass
- Size: DN15 to DN20mm, (1/2" – 3/4")
- Available for cold water (50°C)
- Accuracy: R160

Main Technical Data:

According to ISO4064 (GB/T778.1-2007) Standard

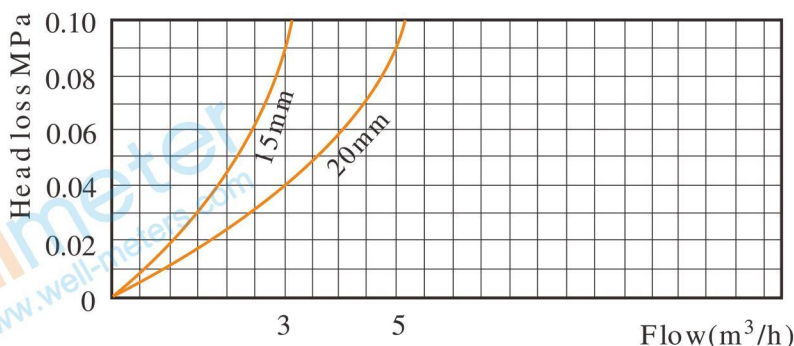
| DN SIZE | Mm Inch | 15 1/2" | 20 3/4" |
|------------------------------|-----------------------|---------|---------|
| | Q4(m ³ /h) | 3.125 | 5 |
| | Q3(m ³ /h) | 2.5 | 4 |
| R80 | Q2(L/h) | 50 | 80 |
| | Q1(L/h) | 31.25 | 50 |
| R100 | Q2(L/h) | 40 | 64 |
| | Q1(L/h) | 25 | 40 |
| R125 | Q2(L/h) | 32 | 51.2 |
| | Q1(L/h) | 20 | 32 |
| R160 | Q2(L/h) | 25 | 40 |
| | Q1(L/h) | 15.625 | 25 |
| Min reading(m ³) | | 0.0001 | 0.0001 |
| Max reading(m ³) | | 99999 | 99999 |
| Max pressure(MAP) | | 16 | 16 |
| Max loss(Δ P) | | 63 | 63 |
| Max temperature | | T50 | T50 |



INDICATING ERROR

At low zone is $\pm 5\%$ from minimum flow rate (q_{min}) to transitional flow rate (q_t) exclusive boundary;
At high zone is $\pm 2\%$ from transitional flow rate (q_t) to overload flow rate (q_s).

Head Loss Curve:



Model: LXSY-15A-20A

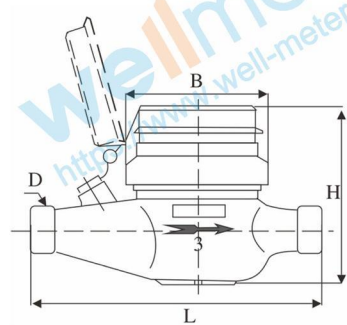
Wireless Technical Indicators:

| | |
|-----------------------|--|
| Power supply | lithium battery |
| Power supply | 2.1V-3.6V |
| Working frequency | 865-868MHz/915-930MHz |
| Transmit power | 50mW |
| Battery Life | More than 8 years (Once reading data per day) |
| Receiver sensitivity | -132dBm |
| Dormancy current | 2.5uA |
| Average current | 18uA |
| Transmission distance | 3000m transmission distance(5Kbps) |



Dimensions and Weight:

| D | G ^{3/4} B | G1B |
|------------|--------------------|-----|
| L(mm) | 165 | 190 |
| B(mm) | 81 | 81 |
| H(mm) | 160 | 160 |
| Weight(kg) | 0.92 | 1.2 |



WORKING CONDITION:

Water temperature: $\leq 50^{\circ}\text{C}$ for cold water meter

Working pressure: $\leq 1.6\text{Mpa}$

wellmeter

Ningbo Well Energy Technology Co.,Ltd

<https://www.well-meters.com>

sales@well-meters.com

+86-574-63702808